

Coming Soon

CRH01

High Performance Single Axis MEMS Gyroscope



Outstanding stability and low noise make the CRH01 a viable alternative to fibre-optic and dynamically tuned gyros.

CRH01 is available with dynamic ranges of $\pm 25^\circ/\text{s}$, $\pm 100^\circ/\text{s}$, $\pm 200^\circ/\text{s}$ and $\pm 400^\circ/\text{s}$. Providing the optimum solution for high and low angular rate range applications where bias instability, angular random walk and low noise are of critical importance.

Key features

- Excellent BIAS characteristic same as Fibre optical Gyro
- Low Bias Instability $< 0.4^\circ/\text{hr}$
- Angle Random Walk $< 0.04^\circ/\sqrt{\text{hr}}$
- Low current consumption. Max 60mA
- High Bandwidth. Typ 90Hz
- High shock and vibration reduction
- Small size: 47mm x 33.5mm x 25.4mm
- RoHS Compliant

Typical applications

- Aerospace
- Flight controls
- Rail transportation
- Industrial
- Drilling guidance
- Land and marine navigation
- Robotics



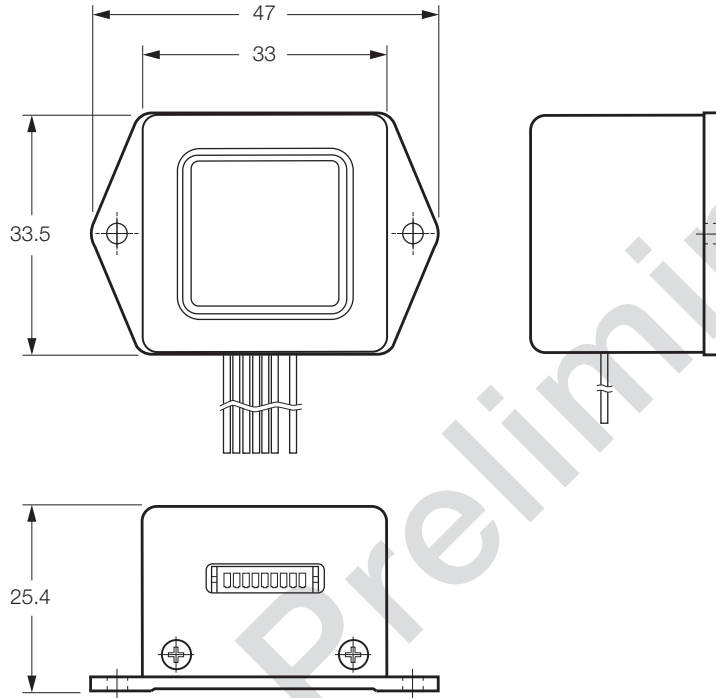
CRH01

High Performance Single Axis MEMS Gyroscope



For full technical datasheets please go to our website where the documents can be downloaded

All dimensions in millimetres



Part Number	Rate Range
CRH01-025	±25°/s
CRH01-100	±100°/s
CRH01-200	±200°/s
CRH01-400	±400°/s

Pin Connections

1	VCC
2	GND
3	Rate o/p
4	Ref
5	REFL
6	Temp o/p
7	DNC
8	FRQ
9	DNC

Typical Data

Parameter	-025	-100	-200	-400
Output	Analogue			
Dynamic range	±25°/s	±100°/s	±200°/s	±400°/s
Nominal scale factor	80mV/°/s	20mV/°/s	10mV/°/s	5mV/°/s
Bias instability	< 0.4°/h	< 0.4°/h	< 0.5°/h	< 1.0°/h
Angular Random Walk	< 0.04°/√hr	< 0.04°/√hr	-	-
Bias over temperature	±0.2°/s	±0.2°/s	±0.25°/s	±0.5°/s
Bandwidth	90Hz			
Supply voltage	+4.85 to 5.25 Volts			
Current consumption	< 60mA			
Operating temperature range	-40°C to +85°C			
Storage temperature range	-40°C to +100°C			
Start-up time	500ms (max)			
Quiescent noise	0.2°/s rms			
Mass	40 gram			
Operational shock	95g x 6ms			
Non operational shock	1,000g			
RoHS Compliant	Yes			

Silicon Sensing Systems Limited
Cliffatford Road, Southway,
Plymouth, Devon
PL6 6DE United Kingdom

T +44 (0)1752 723330
F +44 (0)1752 723331
E sales@siliconsensing.com
W siliconsensing.com

Silicon Sensing Systems Japan Limited
1-10 Fuso-Cho,
Amagasaki,
Hyogo 6600891, Japan

T +81 (0)6 6489 5868
F +81 (0)6 6489 5919
E sssj@spp.co.jp
W siliconsensing.com

Specification subject to change without notice.

© Copyright 2013
Silicon Sensing Systems Limited
All rights reserved. Printed in England 07/13

CRH01-00-0100-131 Rev 1
DCR No. 710005052