

MinIM[®] MEMS Inertial Measurement Unit



UTC Aerospace Systems

MinIM[®] MEMS Inertial Measurement Unit

Product Benefits

Full 6 DoF inertial measurement unit

Latest capacitive technology

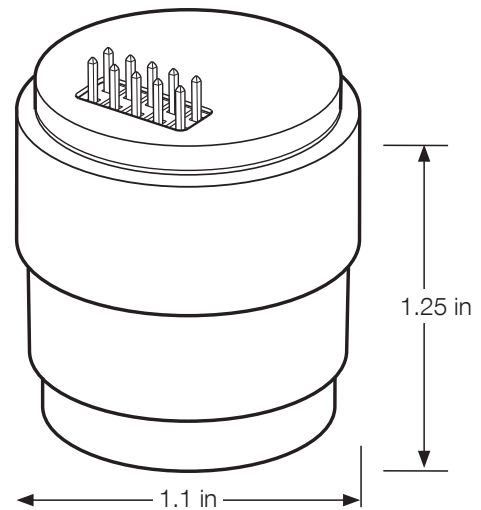
Excellent performance in one cubic inch form

Gun-hard option, survivable to 16,000g

Modular architecture to meet customer performance and price expectations

Low noise

Typical performance	Angular	Linear
Measurement range	±500°/s	±30g
Bias repeatability	90°/hr	20 mg
Bias instability	8°/hr	0.7 mg
Random walk	1°/√hr	0.6m/s/√hr
Scale factor repeatability	1,000 ppm	1,800 ppm
Mass	<0.881 oz excluding mounting	
Supply voltage	+5V DC	
Power consumption	1.25W	
Electrical interface	PC	
Bandwidth	Configurable	Configurable
Built in test	Continuous	



MEMS product portfolio

First MEMS IMU in military service

MEMS products selected by over 60 export customers worldwide

Over 75,000 MEMS products delivered for use on a range of military and aerospace applications

Range of MEMS products available off the shelf

For additional information:

UTC Aerospace Systems
Sensors & Integrated Systems
250 Knotter Drive
Cheshire, CT, 06410-1137
USA
Tel: 203-205-3500
Fax: 203-205-6912
Email: gnc.usa@utas.utc.com
www.utcaerospace.com/gnc



4239A LIT Rev A 1/14

© Copyright 1/2014 Atlantic Inertial Systems Ltd Printed in England 1/2014
The UTC Aerospace Systems name, logotype and symbol are trademarks of UTC Technologies.

This document gives only a general description of the product(s) or services and except where expressly provided otherwise shall not form part of any contract. From time to time changes may be made in the products or the conditions of supply