

SiIMU02[®] MEMS Inertial Measurement Unit



UTC Aerospace Systems

SiIMU02[®] MEMS

Inertial Measurement Unit

Product Benefits

Full 6-DoF and 3 axis rate pack options

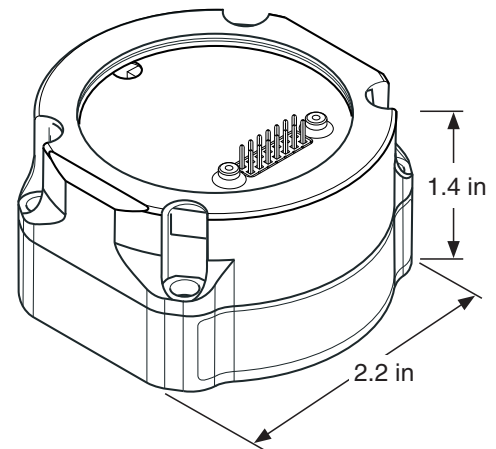
20,000g gun launch capability

Rate and angle modes of operation

Low power and rapid start up

Modular architecture to incorporate customer requirements

Typical performance	Angular	Linear
Measurement range	±9,000°/s axis 1 ±500°/s axis 2 and 3 (to ±14,000°/s axis 1, 2 and 3)	±15g to ±100g axis 1, 2 and 3
Bias repeatability	≤50°/hr 1σ - ≤100°/hr 1σ	≤10 mg 1σ
Bias instability	≤1.5°/hr - ≤6.5°/hr	≤0.5 mg
Random walk	<0.1°/√hr - ≤0.5°/√hr	≤0.5m/s/√hr
Scale factor repeatability (±1,000°/s rate range)	<500 ppm 1σ ≤1,500 ppm 1σ	
Mass	<7.407 oz	
Supply voltage	+5V DC	
Power consumption	≤3.75W	
Electrical interface	AMRAAM, SDLC, PC	
Bandwidth	Configurable	
Built-in test and continuous	Command, start up	



MEMS product portfolio

First MEMS IMU in military service

MEMS products selected by over 60 export customers worldwide

Over 75,000 MEMS products delivered for use on a range of military and aerospace applications

Range of MEMS products available off the shelf

Gun hard version available

For additional information:

UTC Aerospace Systems
Sensors & Integrated Systems
250 Knotter Drive
Cheshire, CT, 06410-1137
USA
Tel: 203-205-3500
Fax: 203-205-6912
Email: gnc.usa@utas.utc.com
www.utcaerospacesystems.com/gnc



4232A LIT Rev A 1/14

© Copyright 1/2014 Atlantic Inertial Systems Ltd Printed in England 1/2014
The UTC Aerospace Systems name, logotype and symbol are trademarks of UTC Technologies.

This document gives only a general description of the product(s) or services and except where expressly provided otherwise shall not form part of any contract. From time to time changes may be made in the products or the conditions of supply