

Atlantic Inertial Systems' SiIMU04® is an all-MEMS system which combines fully compensated 6-DOF angular rate and linear acceleration and dual-axis inclination measurement, suitable for platform navigation, guidance and stabilisation. Miniature high performance silicon accelerometers and Atlantic Inertial Systems' highly successful SiVSG® angular rate sensors are combined in a modular design. This allows performance optimisation of the SiIMU04® to meet specific customer requirements.

- Affordable, robust and rugged design
- Excellent shock and vibration performance
- Long life and exceptional reliability
- Comprehensive Built In Test
- Compact and lightweight
- Low power consumption and rapid start-up
- Full 6-DOF product with additional dual-axis inclinometer functionality



AIS MEMS PRODUCT PORTFOLIO



First MEMS IMU in military service

Global customer base, MEMS products selected by over 60 export customers

Over 20,000 MEMS products delivered for use on a range of military and aerospace applications

Range of MEMS products available off-the-shelf

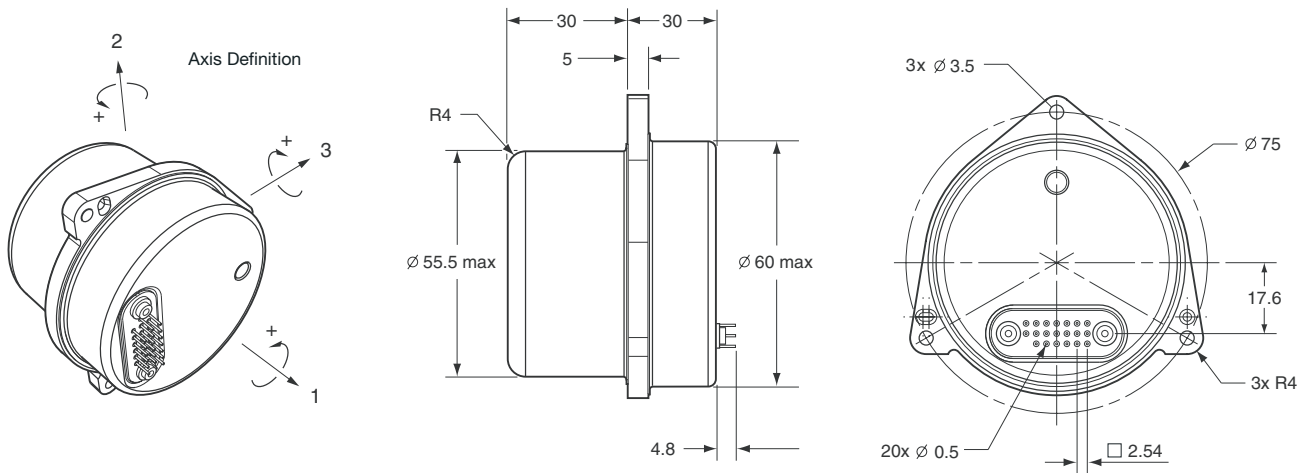


Atlantic Inertial Systems is part of Goodrich Corporation



TYPICAL PERFORMANCE

	Angular	Linear	Altitude
Measurement Range	±6,00°/s Axis 1 ±150°/s Axis 2 & 3	±6,00°/s Axis 1 ±150°/s Axis 2 & 3	±15°/ Roll ±50°/Pitch
Bias Repeatability	≤650°/hr 1σ	≤100 mg 1σ Axis 1 ≤20 mg 1σ Axis 2 & 3	
Bias Instability	≤8°/hr	≤3 mg Axis 1 ≤1 mg Axis 2 & 3	
Random Walk	≤0.5°/√hr	≤0.8 m/s/√hr Axis 1 ≤0.25 m/s/√hr Axis 2 & 3	
Scale Factor Repeatability	≤3,000 ppm 1σ Axis 1, 2 & 3	≤15,000 ppm 1σ Axis 1 ≤8,000 ppm 1σ Axis 2 & 3	
Mass	<250 gram		
Supply Voltage	+8V DC		
Power Consumption	≤5W		
Electrical Interface	PC		
Bandwidth	>80Hz	>80Hz	>20Hz
Built In Test	Start Up & Continuous		



Dimensions in millimetres



Atlantic Inertial Systems is part of Goodrich Corporation

Clifford Road Southway
Plymouth Devon PL6 6DE United Kingdom

T +44 (0)1752 695695
F +44 (0)1752 722095
E infouk@atlanticinertial.com
W www.atlanticinertial.com

This document gives only a general description of the product(s) or services and except where expressly provided otherwise shall not form part of any contract. From time to time, changes may be made in the products or the conditions of supply.

© Copyright 2010 Atlantic Inertial Systems
Printed in England 05/10