

SiNAV[®] MEMS INS/GPS Integrated Navigation System



UTC Aerospace Systems

SiNAV[®] MEMS INS/GPS

Integrated Navigation System

Product Benefits

Ultra-tightly coupled navigation solution

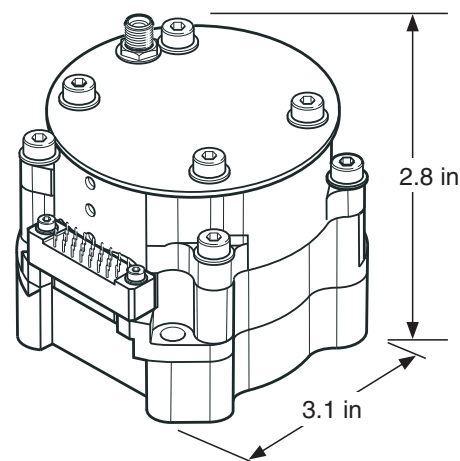
Fast acquisition 12 channel GPS receiver

Modular Integrated Navigation Kalman filter

20,000g gun launch capability

Ability to host customer autopilot and guidance software

Typical performance	Angular	Linear
Free inertial		
Measurement range	±600°/s to ±14,000°/s	±15g to ±100g
Navigation		
Steady-state, assuming:	Availability of GPS	GPS outage for 30 seconds
Attitude	<0.1° rms	<0.12° rms
Heading	<0.15° rms	<0.18° rms
Velocity	<0.1m/s rms	<0.4m/s
Position	<10m	<30m
Physical and electrical		
Mass	<14.109 oz	
Electrical		
Supply voltage	+5V DC	
Power consumption	≤8W	
Interface	AMRAAM	



MEMS product portfolio

First MEMS IMU in military service

MEMS products selected by over 60 export customers worldwide

Over 75,000 MEMS products delivered for use on a range of military and aerospace applications

Range of MEMS products available off the shelf

For additional information:

UTC Aerospace Systems
Sensors & Integrated Systems
250 Knotter Drive
Cheshire, CT, 06410-1137
USA
Tel: 203-205-3500
Fax: 203-205-6912
Email: gnc.usa@utas.utc.com
www.utcaerospace.com/gnc



4237A LIT Rev A 1/14

© Copyright 1/2014 Atlantic Inertial Systems Ltd Printed in England 1/2014
The UTC Aerospace Systems name, logotype and symbol are trademarks of UTC Technologies.

This document gives only a general description of the product(s) or services and except where expressly provided otherwise shall not form part of any contract. From time to time changes may be made in the products or the conditions of supply